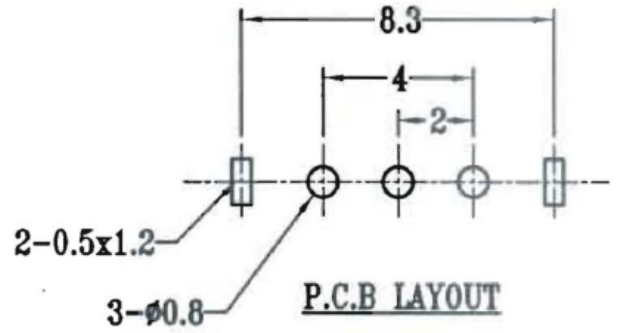
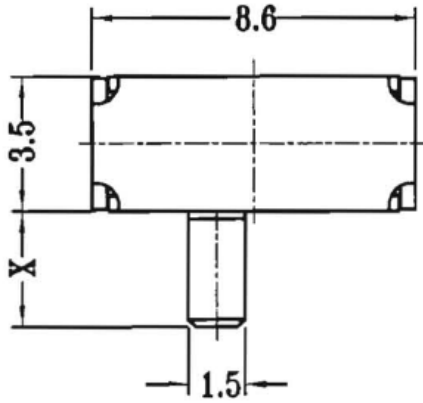
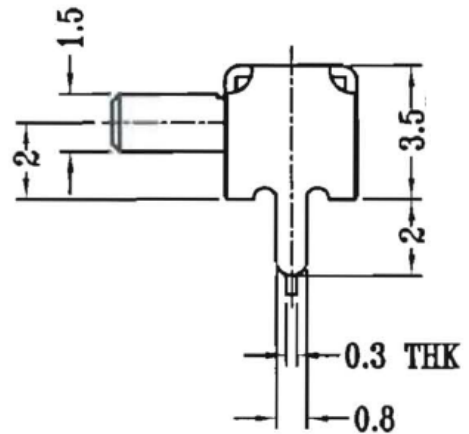
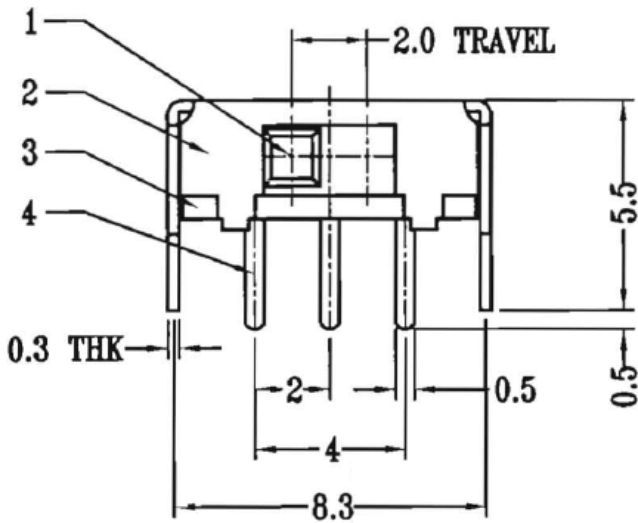


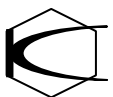
SCHEMATIC (NON-SHORTING)



P.C.B LAYOUT



6	SPRING PLATED	SUS	1	NATURAL
5	CONTACT CLIP	PBS STRIP	1	Ag CLAD
4	TERMINAL	BRASS STRIP	3	Ag PLATED
3	BASE	PHENOLIC RESIN	1	NATURAL
2	FRAME	STEEL STRIP	1	Sn PLATED
1	KNOB	NYLON	1	BLACK
NO	PART NAME	MATERIAL	Q'TY	FINISHING



銓基電子股份有限公司
ROKI ELECTRONICS CO., LTD.

PART NAME : SLIDE SWITCH

SCALE :

PART NO : ST12021-S-PF

UNIT : mm

TOLERANCE : WITHIN:1.5±0.1 mm/
OVER:1.5±0.2 mm



VER : R01